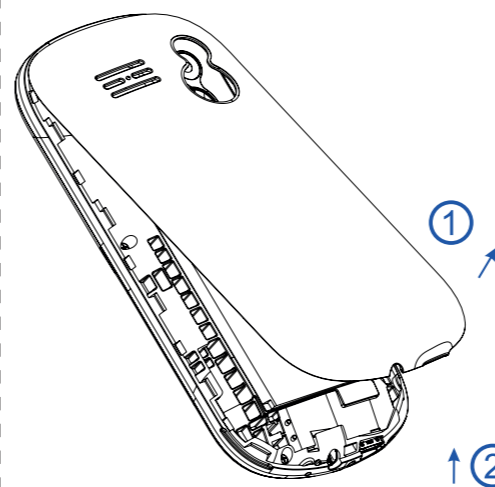


f+ Ezzy 3

User Manual  
Руководство пользователя  
Посібник користувача  
Пайдаланушы нұсқаулығы



PRODUCT FUNCTIONALITY & PACKAGE CONTENTS

Thank you for purchasing the feature phone f+ Ezzy 3. Feature phone f+ Ezzy 3 is designed for operation in the mobile radio phone communication GSM 900/1800 as the subscriber terminal device with support for packet data (GPRS technology class B) and 802.15 (Bluetooth).

Please check whether the package is complete:

1. Phone
2. Battery unit
3. Charging unit
4. User manual
5. Warranty card

Note: package contents can be changed by manufacturer without notice.

INSERT SIM CARD

It is easy to make business with your phone as it supports two micro SIM cards of different networks. SIM cards can help you store information for network connection, personal data, like PIN-code, contacts, messages and other operator services configuration.

1. Remove the rear cover of the battery carefully. Remove the battery.
2. Insert SIM cards correctly in the card slots. Metallic part of SIM must be facing downwards. Adjust the corner cuts of SIM cards to those of the slots.
3. Insert memory card into the proper slot.
4. Insert the battery.
5. Insert the rear cover of the battery.

Attention! The package does not include memory card and can be purchased separately!

Remove the battery, SIM cards, and memory card in the reverse sequence.

Attention! It is prohibited:

- to insert other types of SIM cards (including those with adapters),
  - to insert SIM cards in incorrect position (pay attention to the position of corner cut),
  - to use cut SIM cards of different sizes.
- Noncompliance with the rules may lead to SIM card slot damage and as a result - rejection in warranty maintenance. Contact your operator to get the SIM card of the proper size.

OFFICIAL INFORMATION

All names of the set third party applications are the registered trademarks. Services of third parties set on the phone can demand access to personal information. Personal data can be sent via mobile nets, and used for warranty activation and software license. Take your time to learn the privacy policy of third party apps. Mobile device f+ Ezzy 2 does not exceed the limits of emission of radio waves recommended by international guidelines. The highest SAR value of the device is 2,0 W/kg. These restrictions of the permissible safe exposure limits are developed by ICNIRP and leave out the possibility of causing danger to human health. Manufacture date of f+ Ezzy 2 is specified on the label, which is placed under the accumulator battery. It is depicted as a six-figure code, where the first two digits are the date, the next two digits - the month, and the last four stand for the year of manufacture. The manufacture date of the components is presented on their labels as a four-digit code, where the first two digits are the month and the next two digits are the year of manufacture.

All products have quality certificates with the name of the manufacturing enterprise, normative documents, according to which they were manufactured, the date of manufacture and implementation deadline.

Your mobile device has the capability to download, store and forward additional content, such as ringtones. The use of such content may be restricted or prohibited by rights of third parties, including but not limited to restriction under applicable copyright laws. Prior to your use of any additional content, please verify that your intended use is properly licensed or is otherwise authorized. Fly does not guarantee the accuracy, integrity or quality of any additional content or any other third party content. Under no circumstances will f+ be liable in any way for your improper use of additional content or other third party content.

No part of this document may be reproduced or transmitted in any form or by any means, electronic or mechanical, including photocopying, recording or storing in a retrieval system, or translated into any language in any form without prior written permission of f+.

Unauthorized use and/or duplication of copyrighted material may be a violation of copyright law in the Russian Federation and/or other countries. Violation of copyright laws may subject you to significant civil and/or criminal penalties. f+ is not to be held responsible for any damages or losses that you may incur as a result of using this phone and software.

Attention!

The content of the guide can differ in some details from phone or its software. Manufacturer reserves the right to implement modifications of equipment, technical and software without preliminary notification. All information in this user manual is subject to change without notice. Failure to follow the guidelines of this manual may lead to the phone breakdown and warranty disclaimer.

MAIN FEATURES

- Phone Dual SIM Cellular Band GSM 900/1800
- 2 SIM standby
- 1,77" LCD (160\*128)
- Battery 800mAh
- FM radio
- Camera
- BT
- MP3 player
- microSDHC support
- 3,5 mm jack
- SOS Call support

CHARGING AND PC CONNECTION

**Phone charging.** Charger (power supply unit, input voltage - 90-264 V, output voltage - 4,75-5,25 V) is designed to recharge phone battery from the alternating-current mains. Connect one end of the charger to USB-port of the phone and plug the charger into the socket.

When the battery power is low, the battery icon appears empty. If the battery is completely discharged, the phone cannot be turned on immediately even when the charger is connected. Wait around 30 minutes before turning on the device. You can use your phone while it is charging, but it may take longer to fully charge the battery. While charging, the device and the charger may heat up. This is normal and should not affect the device's lifespan or performance. If the device is not charging properly, take the device and the charger to Fly technical support center.

**Connection to PC.** In order to connect phone to PC please purchase USB-cable.

Connect one end of USB-cable to the phone and the other end to the USB-port of your PC. In case of successful connection, you will get an access to the phone files on your PC.

Attention! USB-cable is not supplied as a part of package and must be purchased separately!

SAFETY AND HANDLING

Please read the safety precautions carefully to ensure the correct use of your smartphone.

It is essential to follow the rules of using mobile devices on the planes, in hospitals, petrol stations, chemical productions and other places with mobile net usage restrictions. There are cases when mobile net usage may cause interference to delicate equipment and explosion of combustible materials.

Switch off your smartphone near high-precision electronic devices. The phone may affect the performance of these devices.

Do not place magnetic storage media near your phone. Radiation from the phone may erase the information stored on them. For medical implants patient (heart, insulin, etc), keep the mobile phone 15cm away from the implant and, while calling, keep the phone on the opposite side of the implant.

It is essential to follow the rules of using mobile net while driving. Use personal hands-free kit or stop the car. In some cases, smartphone emission can lead to the failure of the car electronic systems. Location of the phone in airbags operation area can lead to the serious injuries while triggering.

Do not subject phone to the heavy strike in order to prevent its breakdown or fire. Do not subject the phone to high temperatures, pressure, and high humidity. It can damage the phone.

It is prohibited to put the phone and its accessories into the microwaves. It can lead to the unforeseen consequences from breaking down to the fire. It is prohibited to disassemble the phone and its elements. It can lead to its breaking down and the battery leakage.

Do not cover the phone while charging. It can lead to the overheating of the device and its inflammation.

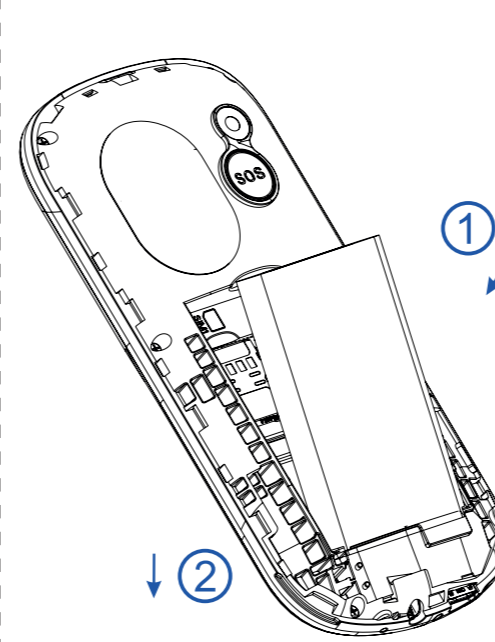
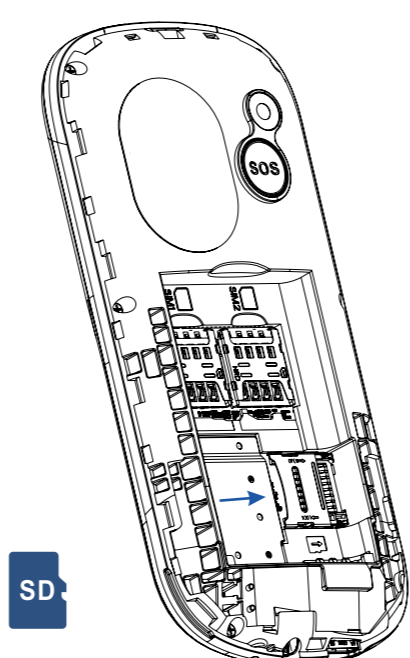
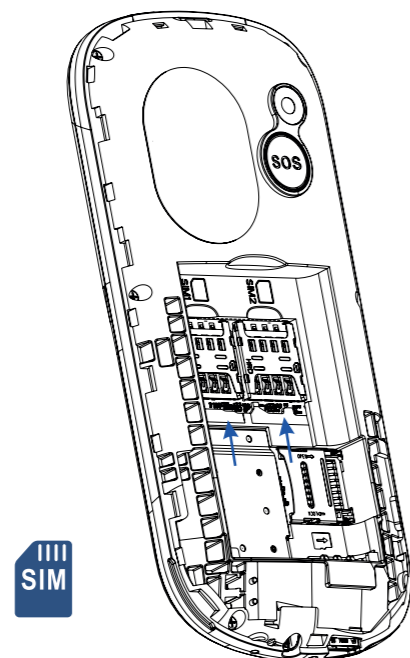
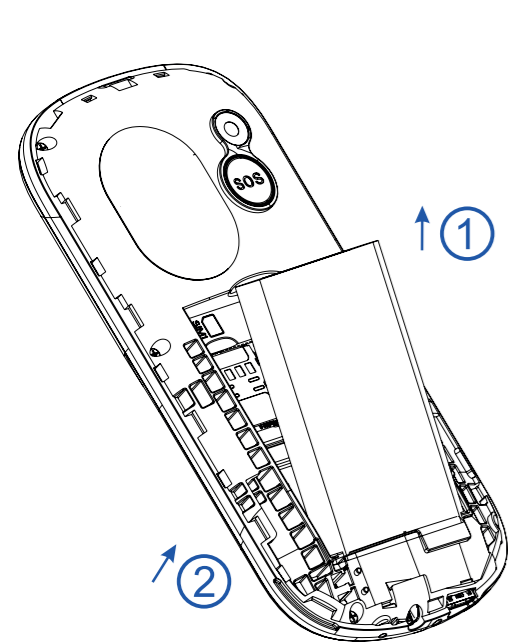
Phone emission can be the reason of the interference for other communication devices, including common phones, TV, radio, office equipment.

Fly is not liable for performance issues caused by apps supplied by third parties. Fly is not liable for performance issues or incompatibilities caused by modified operating system software. Attempting to customize the pre-installed operating system can cause phone or apps to work improperly.

Using unapproved battery and charger can lead to battery leakage or inflammation. Do not use any chemical detergent, powder, or other chemical agents (such as alcohol and benzene) to clean the device and the charger. Otherwise, parts of the device may be damaged or a fire caused. Please use damp and antistatic cloth.

Do not connect the charger to the phone if the battery is derived. Before battery removal, make sure that the phone is turned off; otherwise, you can lose the data saved in the phone. Do not extract the battery while charging.

During the charging, put the phone into the well-ventilated room, far from the highly inflammable and explosive objects. Do not charge the phone while raining and in the rooms with high humidity (bathrooms). Disconnect the charger from the wall outlet immediately, if water or other liquid spills on it.



POWER ON/POWER OFF

**Power on.**

Press and hold Power key for several seconds. If necessary, enter PIN-code for SIM card and press "OK" or central key. PIN-code is provided by your network operator. To change PIN-code, go to Menu - Settings - Security - PIN - SIM1/SIM2 - Modify PIN.

**Power off.**

Press and hold Power key for several seconds.

PHONE MENU

To access menu press left soft key.

Main menu:

- Phonebook
- Messages
- Call logs
- Organizer
- Games
- Multimedia
- Settings
- Funbox

PHONE RESET

**Phone reboot**

If the phone works slower than usual, freezes and behaves incorrectly, try to reboot the phone: turn off the phone and turn it on again.

**Factory data reset**

If your phone stopped to reply to your actions, there is a problem which cannot be solved by soft reset or you give your phone to somebody else, you can go for hard reset. It will return your phone back to factory settings.

Open Menu - Settings - Phone settings - Restore factory settings, then enter the password (default password - 0000).

Attention! All your data and users settings will be deleted.

Do not forget to back up all important data and files!

Attention! Factory data reset does not remove data from SD-card.

Avoid exposing your device to environments with excessive dust or moisture. Dirt and dust in the wall outlet may hinder the normal charging due to the bad contact or connection loss. Do not forget to wipe the device.

Stick to using of the indicated AC values. Incorrect voltage may lead to the electrodes drain, inflammation, and injury of the phone or the charger. Do not short the charger. Short circuit leads to the electric shock, smog appearance and charger injury.

If the cable is injured, do not use the charger in order to avoid the fire or electric shock. Do not strip and do not change the charger.

Do not place heavy things on the charger cable. If you want to disconnect the charger from the wall outlet, pull the charger. Do not pull the cable!

Keep your mobile phone and its accessories away from young children. Do not allow children to use your mobile phone without guidance.

Transportation of the product is carried out in manufacturer's containers by all types of transport at any distance. The products shall be packaged in containers, tanks and other components and materials, providing protection against damage to the phone, injuries and losses, in order to ensure their safety during transportation, handling, handling and storage, as well as to prevent access to content and the possibility of causing damage to cargo, baggage or property of the carrier.

Long-term storage of the product is carried out in a double packaging: internal and external. For inner package special wrapping paper or plastic film is used. External packaging consists of original box in which phones have been issued by manufacturer.

Subscriber station and its accessories should be stored at the following environmental conditions:

- ambient temperature from + 5 ° C to + 50 ° C
- relative humidity to 80% at + 25 ° C.

Disposal of subscriber station and its accessories together with household waste is prohibited and must be held in special collection points. Do not throw phone, battery and charger in municipal waste.

